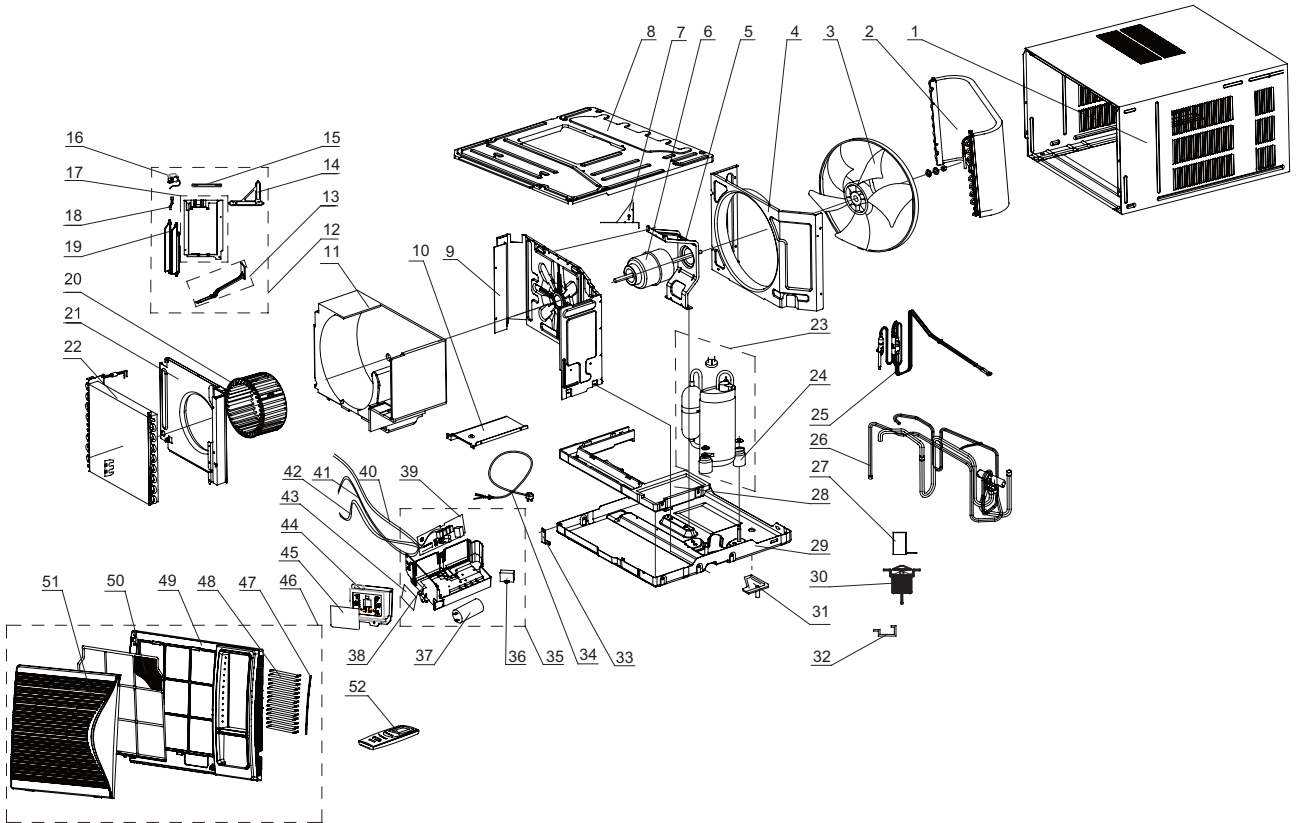


Model:GJH18AC-K3RNB9D



No.	Description	Part Code	Qty
		GJH18AC-K3RNB9D	
Product Code		CC052015900	
1	Cabinet Assy	014316182	1
2	Condenser Assy	01101116	1
3	Axial Flow Fan	10331163	1
4	Rear Clapboard	01231031	1
5	Motor Support 1	01701605	1
6	Fan Motor	1501120707	1
7	Motor Support 2	01701604	1
8	Top Cover Board Sub-assy	01251611	1
9	Front Clapboard Sub-Assy	01231804	1
10	Base Plate Of Air Flue	01221602	1
11	Propeller Housing	12101602	1
12	Air Outlet Sub-Assy	2000103601	1
13	Air Door Lever	10581601	1
14	Swing lever	10581602	1
15	Swing Lever2	10581021	1
16	Step Motor	1521211601	1
17	Swing blade Support	10581603	1
18	Crank	73011001	1
19	Air Louver	10511601	2
20	Centrifugal Fan Sub-Assy	10311501	1
21	Front Clapboard of Propeller housing	01231604	1
22	Evaporator Assy	01001292	1
23	Compressor and fittings	00101300	1
24	Compressor Gasket	99071370	3
25	Capillary Sub-Assy	03001495	1
26	4-Way Valve Assy	03021227	1
27	Magnet Coil	430004017	1
28	Water Tray	12411007	1
29	Chassis Sub-assy	0120110701P	1
30	Drainage Valve	07100164	1
31	Drainage Box	20181801	1
32	Cabinet Fastener	26251601	1
33	Chassis clamp	01211601	1
34	Power Cord	400204911	1
35	Electric Box Assy	20101421	1
36	Capacitor CBB61	33000012	1
37	Capacitor CBB65	33010009	1
38	Electric box	20111031	1
39	Main Board	30132091	1
40	Ambient Temperature Sensor	390000451	1
41	Temperature Sensor	390000596	1
42	Temperature Sensor	390000372	1
43	Display Board	30562019	1
44	LCD board(remote control)	20120037	1
45	Membrane	2243113201	1
46	Front Panel Assy	20001440	1
47	Guide blade lever	10581604	1
48	Guide blade	105116021	14
49	Front Case	20001601	1
50	Filter Sub-Assy	11121601	1
51	Front Panel 1	20001433	1
52	Remote Controller	30511030	1

The data above are subject to change without notice.